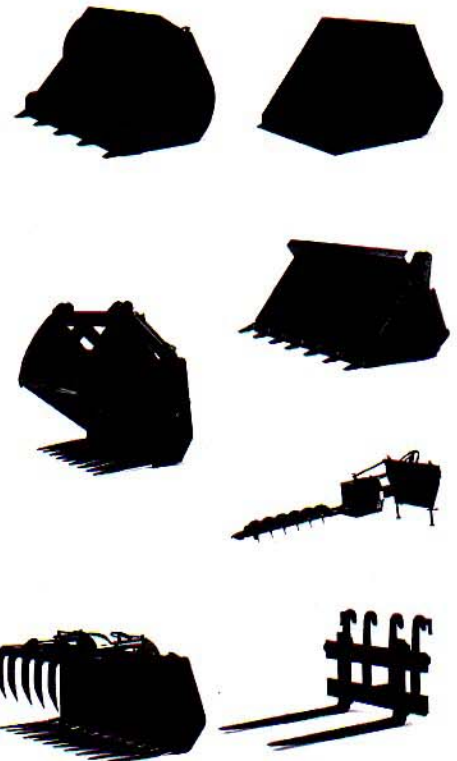
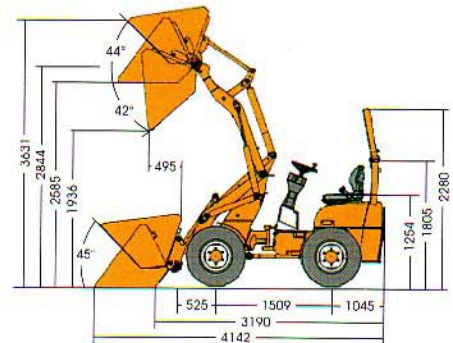
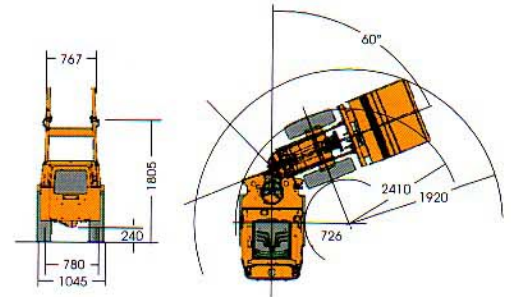


Technical Data

HT35J

Engine	3-cylinder Perkins
Engine power (RPM)	24.4kW / 34hp (2800)
Driving speed	0-13km/h
Operating weight	1840kg
Total length/total width	3115 / 960mm
Height to rollbar/lowered	2254 / 1795mm
Height to drive canopy	1900mm
Total working height	3188mm
Lift height	2434mm
Inside turning radius	1270mm
Max.lifting force	2500kg
Tipping load when horizontal shovel/pallet fork	1118kg / 850kg
Tipping load when articulated shovel/pallet fork(kg)	941 / 715(45°) 936 / 704(47°)
shovel capacity	0.30m ³ -0.48m ³
Break-off force/biting force	2702 daN



Series configuration—standard configuration

Hydraulic all-wheel drive with automotive control ● Multifunction lever ● Hero Time compact axle K90 ● Tyres 27x8.50-15 including turning wheels ROPSbar, foldable ● Side-tilting driver's cab ● Comfort seat with seat belt, fully spring mounted, 60mm spring range ● Hydraulic fluid cooler (combination cooler) ● Fully hydraulic centre-pivot steering ● One-hand control with double float position to the right next to the seat ● Mechanical quick-change system for tools ● Service brake: hydrostatic drive operating on all four wheels ● Central service and parking brake in the driveline, operating on all 4wheels (wear-resistant) ● Front and rear work lights ● Timemeter ● Fuel gauge ● Hydraulic connection front Dn 10 ● A folding rollbar or driving canopy is required for non-agricultural applications.

HERO TIME

ZHEJIANG HERO TIME MACHINERY CO., LTD

HEAD OFFICE
ADDRESS: No.95 Diankou Xiaban Industry Zone,
Zhuji City, Zhejiang Prov., China
TEL: 0086-575-7665183 7665998
FAX: 0086-575-7665669
WEB: www.haotaigroup.com

EXPORT OFFICE
ADDRESS: 2-3, Yungui Garden, No.333 Wensan
Road(w.), Hangzhou, China
TEL:0086-571-88989056 88986391
FAX:0086-571-88986791
E-MAIL: skidsteer loader@yahoo.com.cn

Remarks