

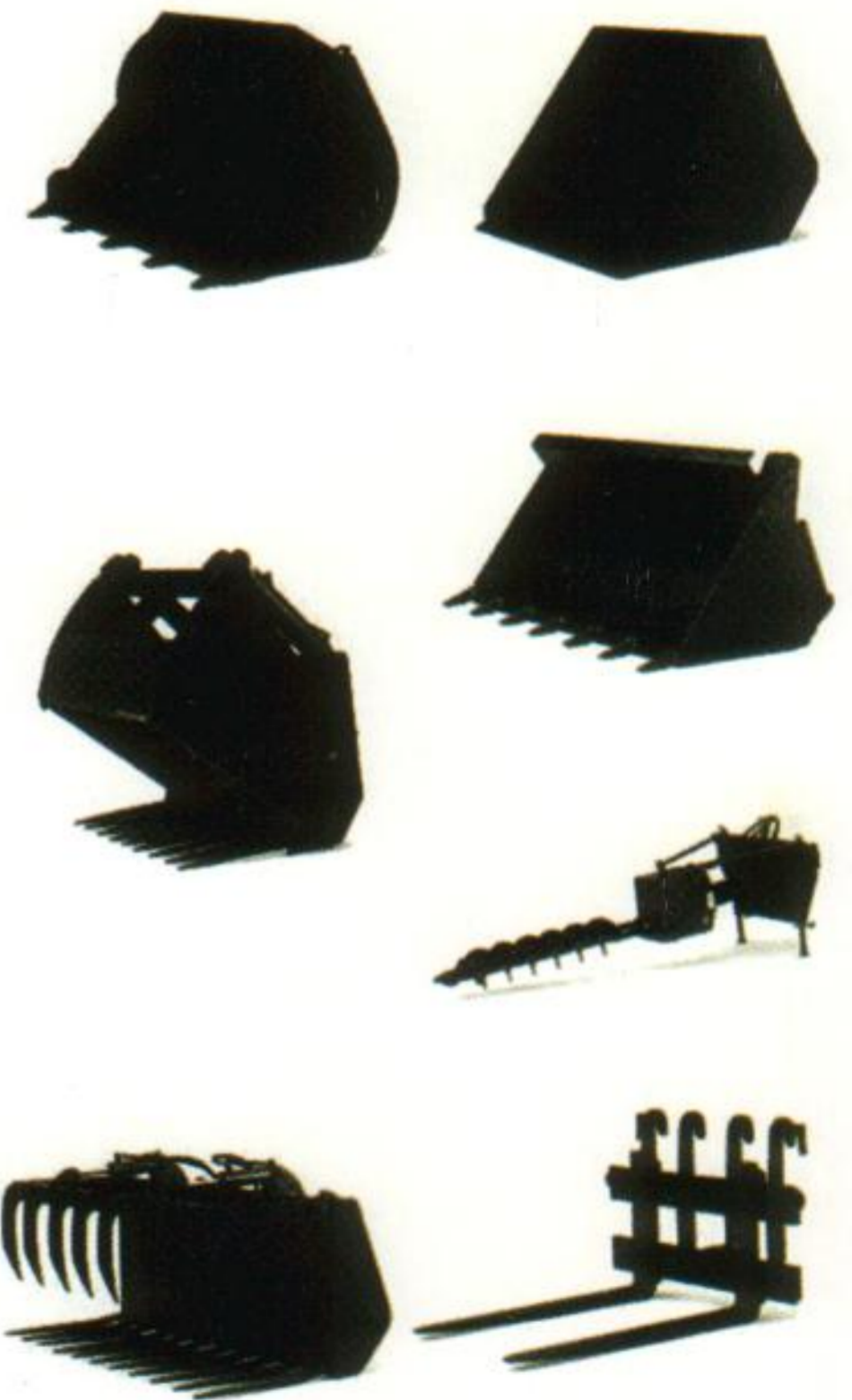
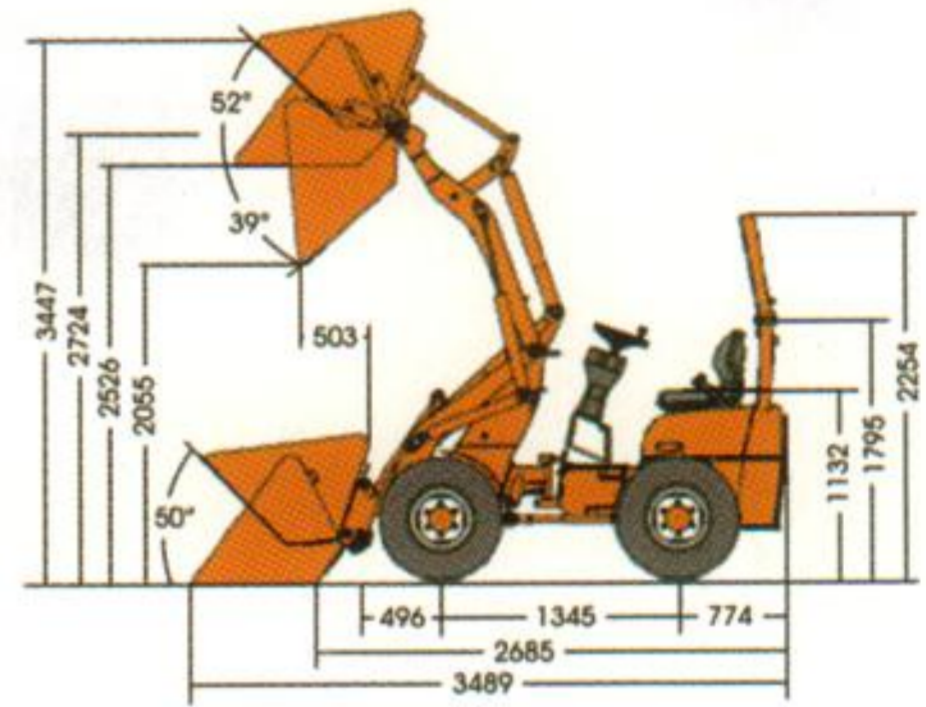
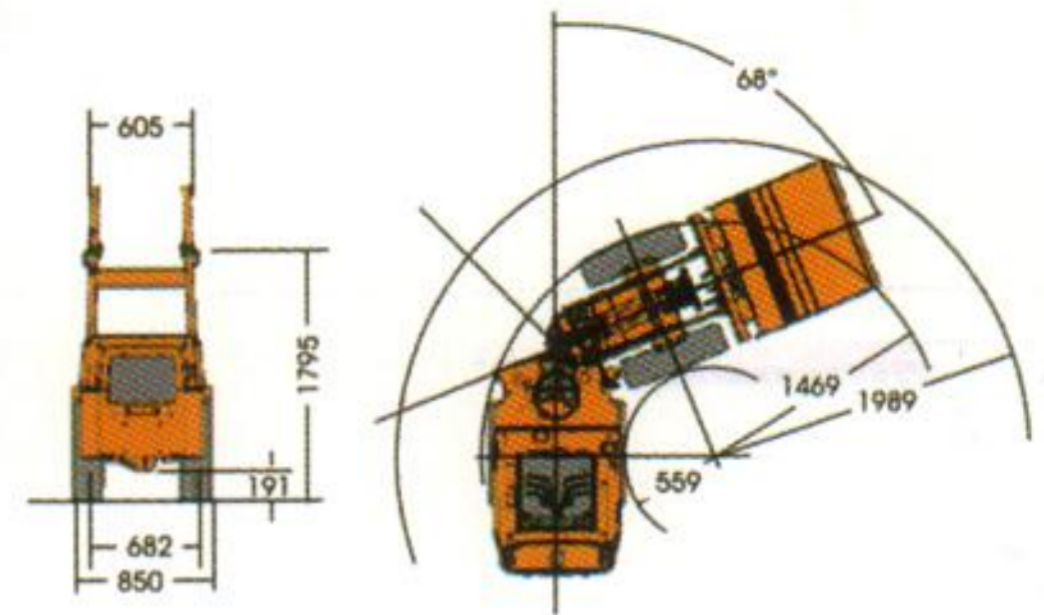
## Technical Data

HT25J

Engine	3-cylinder Perkins
Engine power (RPM)	19.7kW / 27hp (3000)
Driving speed	0-17km/h
Operating weight	1420kg
Total length/total width	2685 / 900mm
Height to rollbar/lowered	2254 / 1795mm
Total working height	3447mm
Lift height	2724mm
Inside turning radius	559mm
Max.lifting force	1884kg
Tipping load when horizontal shovel/pallet fork	864kg / 543kg
Tipping load when articulated shovel/pallet fork(kg)	735 / 462(45°) 651 / 409(59°)
shovel capacity	0.30m <sup>3</sup> -0.48m <sup>3</sup>
Break-off force/biting force	1340 daN

## Series configuration—standard configuration

Hydraulic all-wheel drive with automotive control ● Multifunction lever ● Hero Time axle h90 ● Tyres 28 x 8.5-15 6 PR including turning wheels ● Rollover bar, H-form ● Comfort seat with seat belt, fully spring-mounted; 60mm spring rang ● Fully hydraulic centre-pivot steering ● One-hand control with double float position to the right next to the seat ● Mechanical quick-change system for tools ● Service brake: hydro-static drive operating on all four wheels(wear-resistant) ● Central service and parking brake in the driveline, operating on all four wheels ● Hydraulic fluid cooler with electric ventilation ● Front and rear work lihgts ● Timemeter ● Fuel gauge ● Hydraulic connection front Dn10



Phone: 61 8 9493 6266  
 Fax: 61 8 9493 6286  
 40 Royal Street, Kenwick, 6107, WA  
 P.O. Box 83 Walliston DC W.A. Australia 6925  
 Web: [www.wbcm.com.au](http://www.wbcm.com.au)